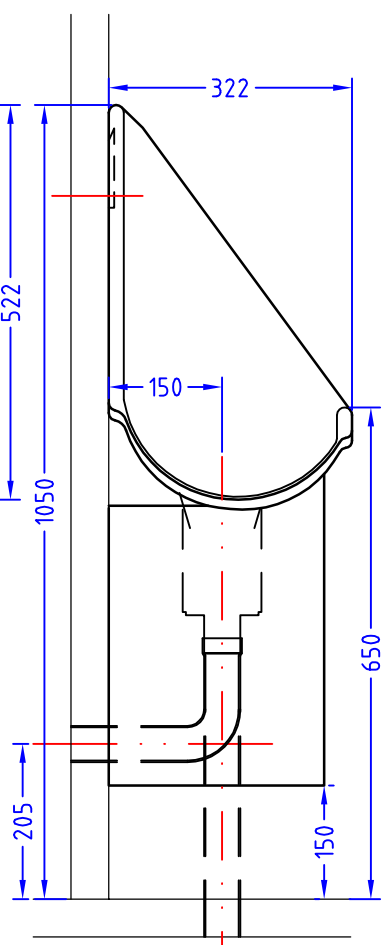
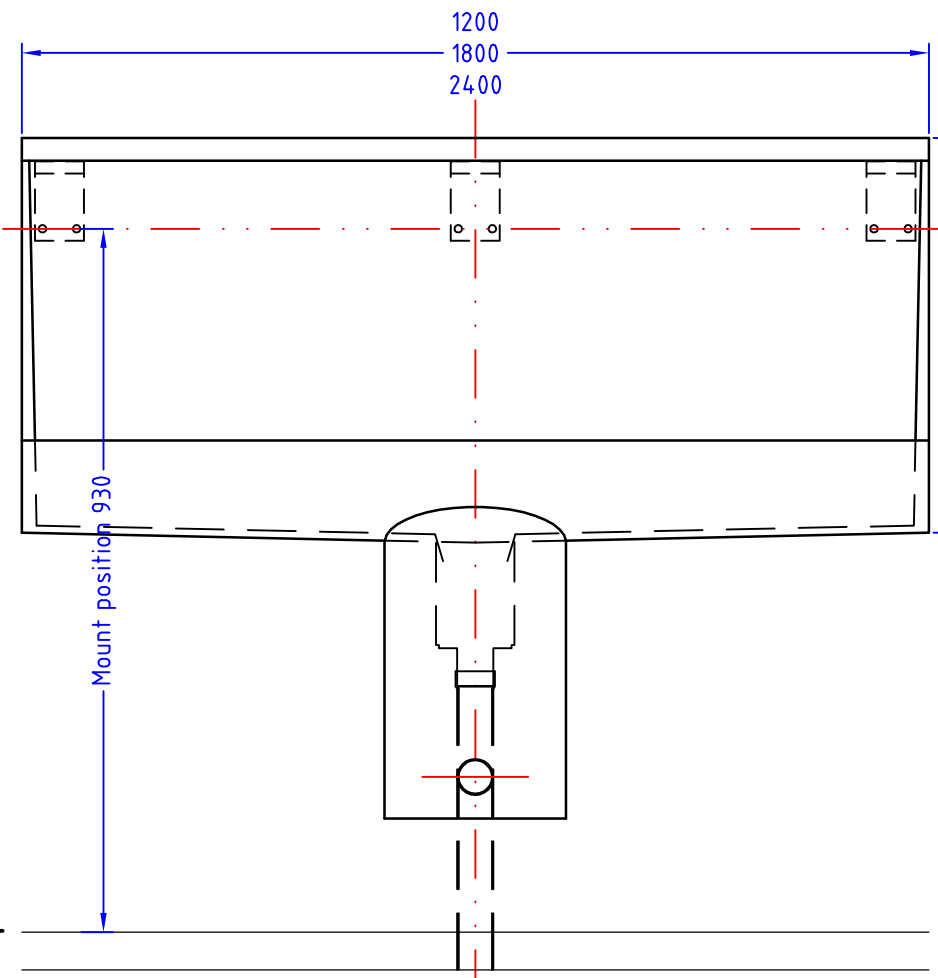
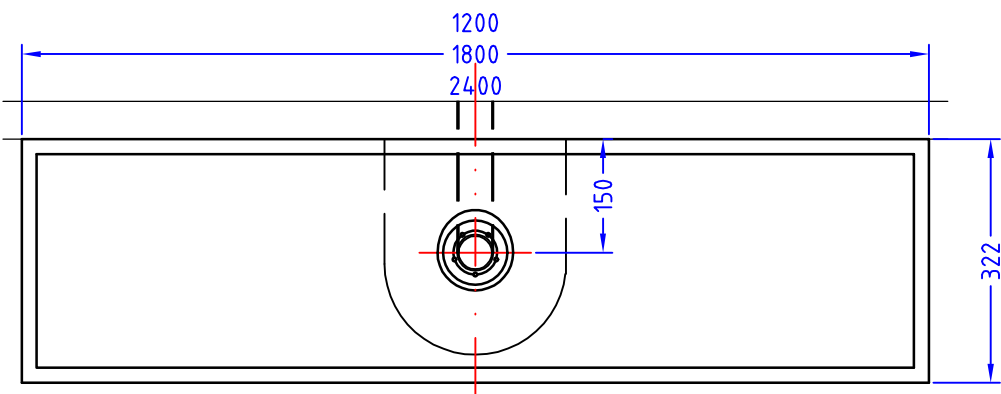


1	2	3	4
RevNo	Revision note	Date	Signature
			Checked



Front View

Side View



Plan View

Designed/Drawn GJB	Checked by Uridan	Approved by - date 31/01/2006	File name Uridan GR-x	Date 17/5/2006	Scale 1:10
-----------------------	----------------------	----------------------------------	--------------------------	-------------------	---------------



Uridan Waterless Urinal Trough

Model GR series	Version 1	Sheet 1/1
-----------------	--------------	--------------